

## net4more comMODULE un:c-Ethernet

Ethernet comMODULE for net4more system

### Product description

- Component of the net4more system
- Ethernet comMODULE
- To support higher wattages as provided by PoE
- Power supply via un:c bus
- net4more articles are part of the net4more toolbox consisting of hardware and software and can be ordered with the system via your local sales team



Standards, page 4



PHASED OUT

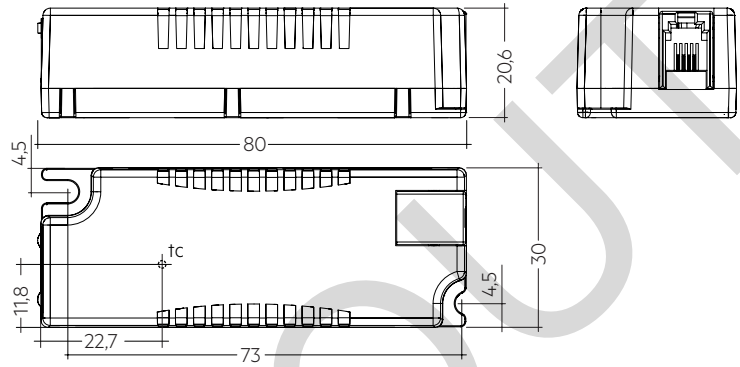


## net4more comMODULE un:c-Ethernet

Ethernet comMODULE for net4more system

### Technical data

Supply via	un:c bus
Power consumption via un:c	0,9 W
Current draw via un:c	179 mA
Operating temperature	-25 ... +60 °C
tc point	70 °C
Storage temperature	-40 ... +80 °C
Dimensions L x W x H	100 x 30 x 20.6 mm
Type of protection	IP20



### Ordering data

Type	Article number	Packaging, carton	Weight per pc.
net4more comMOD un:c-Ethernet	28001580	160 pc(s).	0.033 kg

net4more cable un:c

Product description

- RJ10 un:c connection cable in various lengths



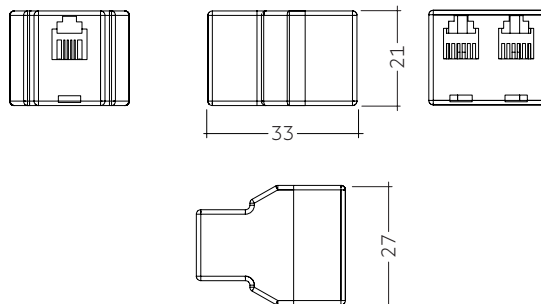
Ordering data

Type	Article number	Packaging carton	Weight per pc.
net4more cable 50mm un:c	28001674	100 pc(s).	0.002 kg
net4more cable 100mm un:c	28001675	200 pc(s).	0.003 kg
net4more cable 200mm un:c	28001676	100 pc(s).	0.004 kg
net4more cable 300mm un:c	28001677	300 pc(s).	0.006 kg
net4more cable 500mm un:c	28001678	200 pc(s).	0.008 kg

net4more 3way Splitter un:c

Product description

- un:c 3-way-splitter
- For wiring of additional components



Ordering data

Type	Article number	Packaging carton	Weight per pc.
net4more 3way Splitter un:c	28001664	100 pc(s).	0.02 kg

## 1. Standards

EN 60950-1  
EN 61347-1  
EN 61347-2-11  
EN 50364  
EN 55024  
EN 55032  
EN 300330 V2.1.1  
EN 301 489-1 V2.1.1  
EN 301 489-3 V2.1.1  
UL 60950-1 Edition 2

### 1.1 Glow wire test

according to EN 61347-2-11 with increased temperature of 850 °C passed.

## 2. Common

### 2.1 net4more comMODULE un:c-Ethernet

This comMODULE provides the connection of the luminaire with an IT cabling using a RJ45 plug.  
Mains to the node comes with a separate mains cable. This is used where it is necessary to have higher wattages as provided with the PoE standard.

## 3. Thermal details and life-time

### 3.1 Expected life-time

#### Expected life-time

Type	ta	60 °C
net4more comMOD un:c-Ethernet	tc	70 °C
	Life-time	50,000 h

The device is designed for a life-time stated above under reference conditions and with a failure probability of less than 10 %.

## 4. Interfaces / communication

### 4.1 un:c interface

Parameter	Value
Output voltage	5 V
Min. output voltage	4,2 V
Max. output voltage	5,5 V
Max. output current	400 mA
Max. cable length <sup>①</sup>	15 m
Bus frequency	100 / 400 kHz
Devices per bus	10

① The max. cable length corresponds to the sum of all lines in un:c interface.

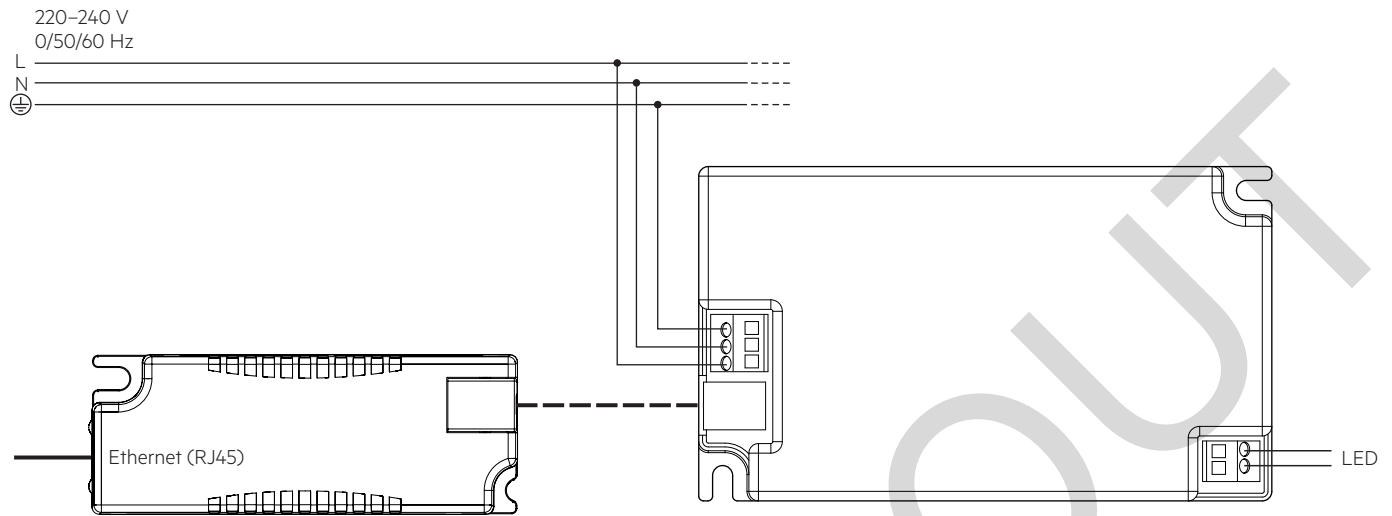
### 4.2 un:c interface / RJ10

The connection between communication module and LED Driver must be done via a straight through un:c interface cable.

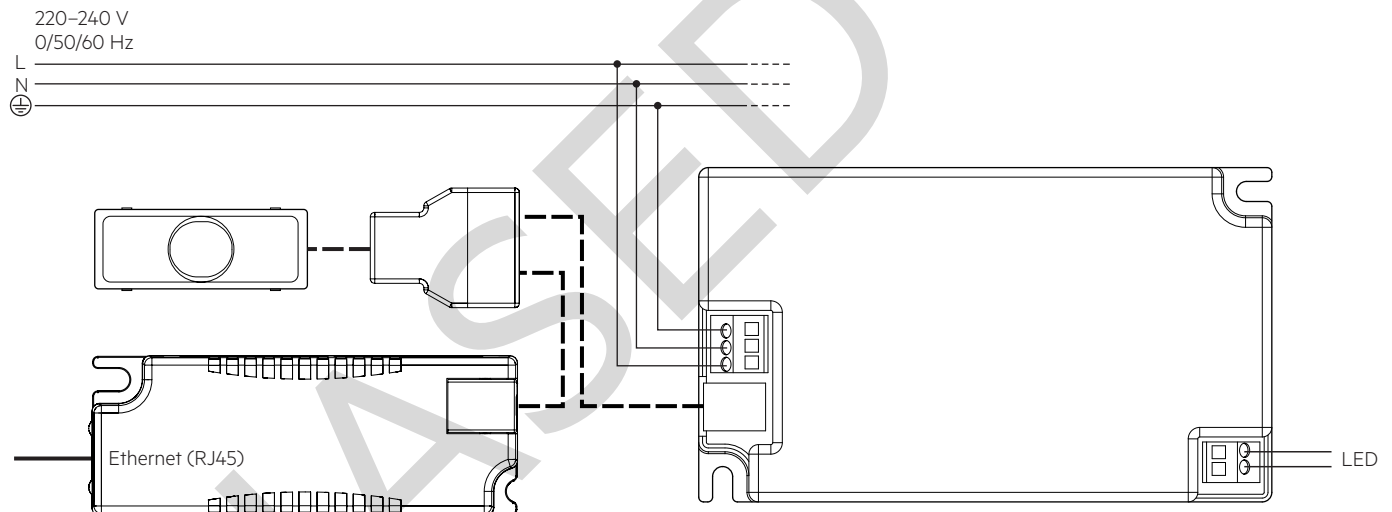
un:c (RJ10)	
pin 1	STR
pin 2	5V
pin 3	GND
pin 4	SCL

## 5. Installation / wiring

### 5.1 Wiring diagram



With sensor:



Caption:

- LED / mains
- Ethernet
- - - un:c

### 5.2 Ethernet cable

Ethernet cable using standard Cat.5e or higher must be used.

### 5.3 Installation note

Max. torque at the clamping screw: 0.5 Nm / M4

## 6. Miscellaneous

### 6.1 Additional information

Additional technical information at [www.tridonic.com](http://www.tridonic.com) → Technical Data

Guarantee conditions at [www.tridonic.com](http://www.tridonic.com) → Services

Life-time declarations are informative and represent no warranty claim.  
No warranty if device was opened.